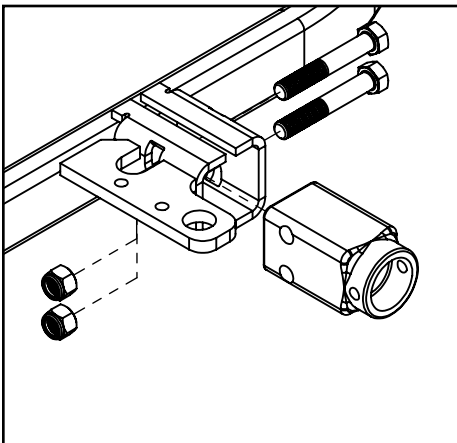


9523128 Parts List

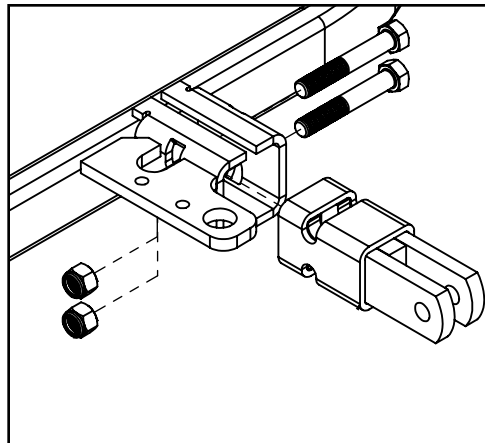
ITEM	PART #	DESCRIPTION	QTY.
1	02178	NUT, .50NC LOCK, NY. INSERT	4
2	15631-76	PULL EAR BLOCK	2

Please order replacement parts by PART NO. and DESCRIPTION.

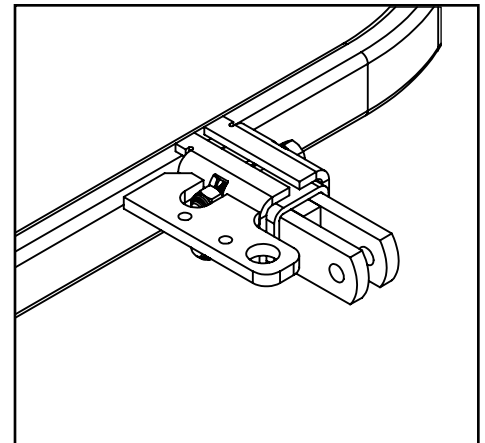
Instructions



1. Remove tabless pull block from baseplate.



2. Install new pull ear adapter into base.



3. Tighten the bolts to 85 ft/lbs.