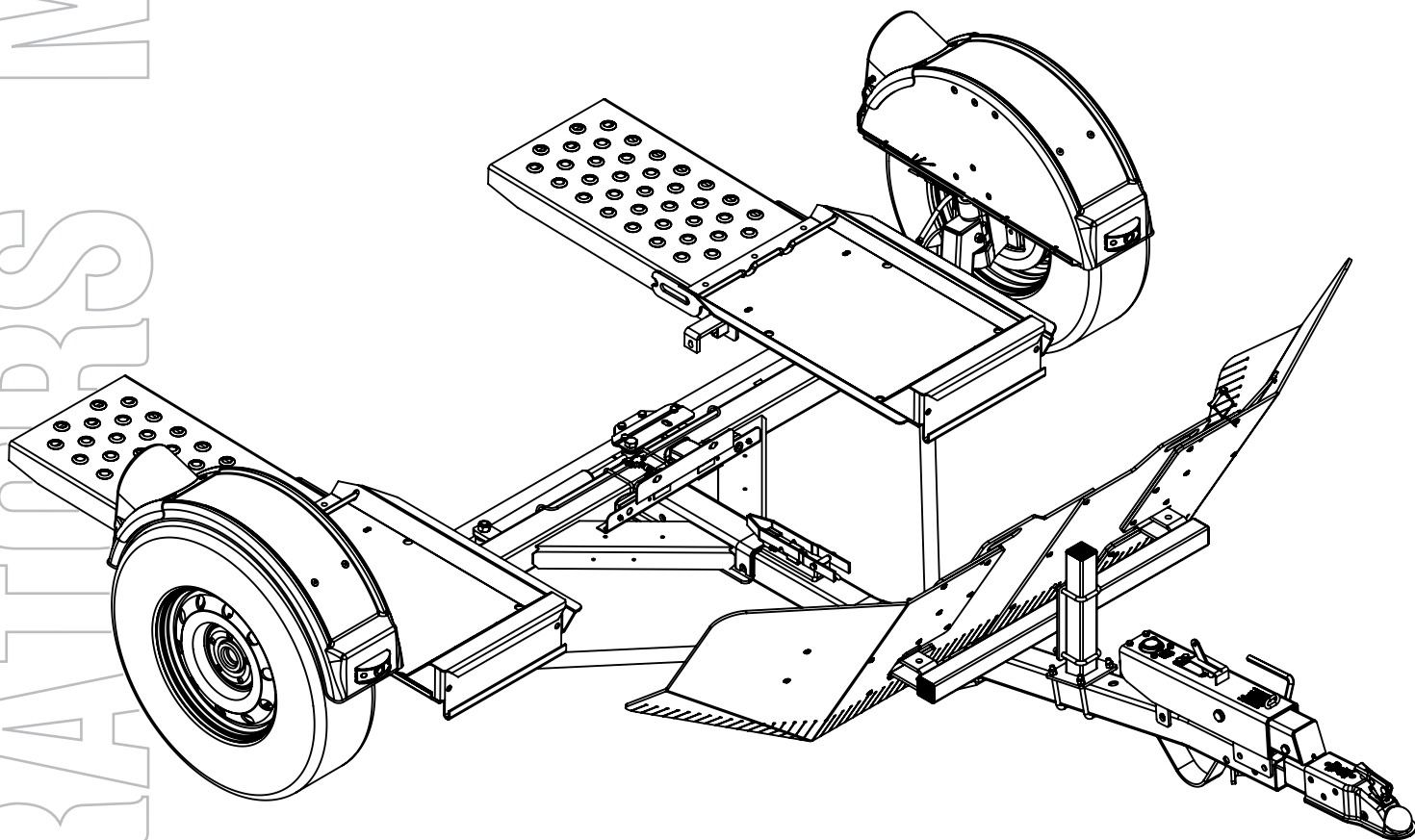




Demco

Sentry Deflector

TOW DOLLY MOUNTED



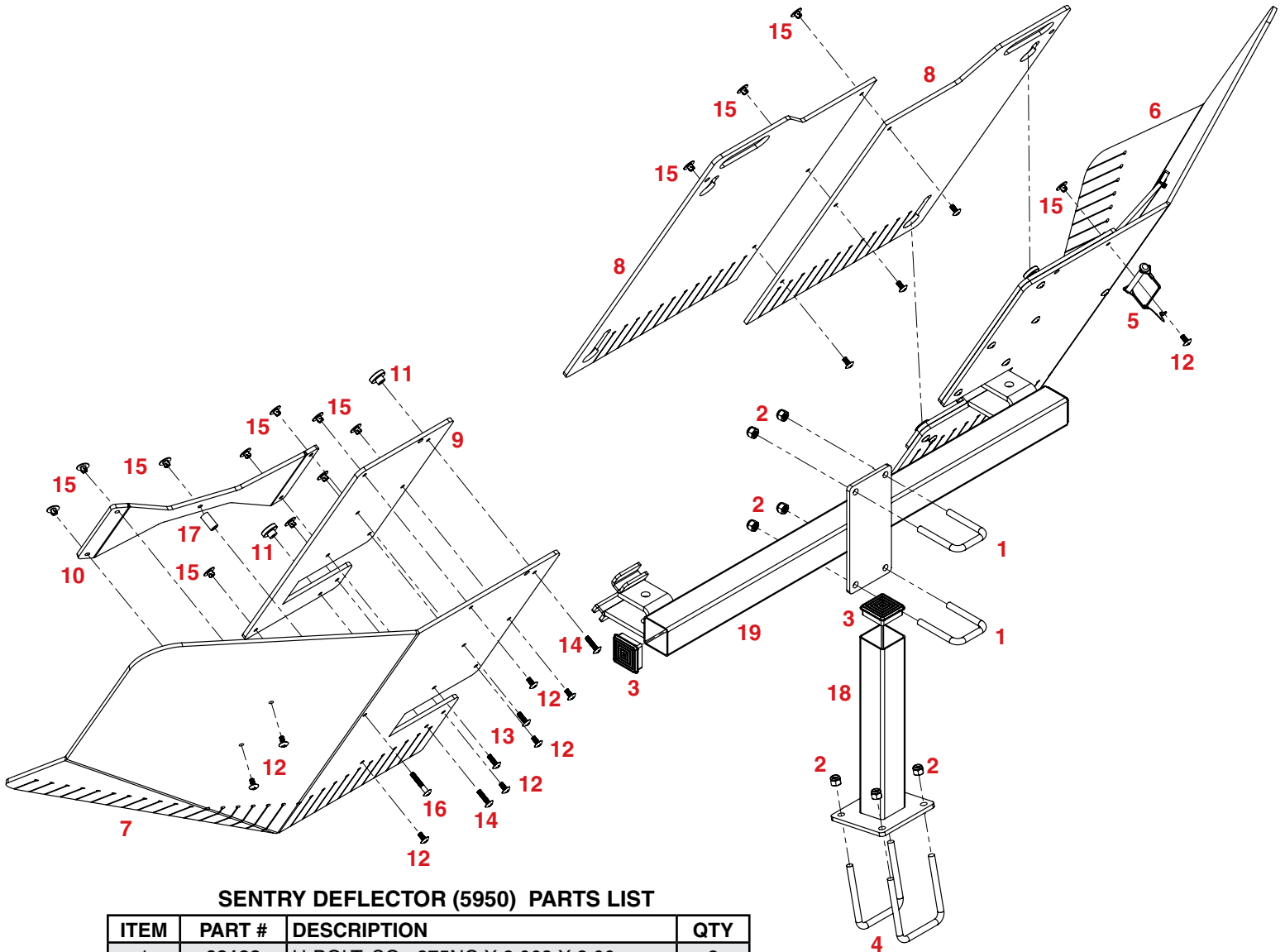
READ *complete manual CAREFULLY*
BEFORE attempting operation.

Doing Our Best to Provide You the Best

OPERATORS MANUAL

WARRANTY POLICY & REGISTRATION

Go online to www.demco-products.com to review Demco warranty policies and register your Demco product.

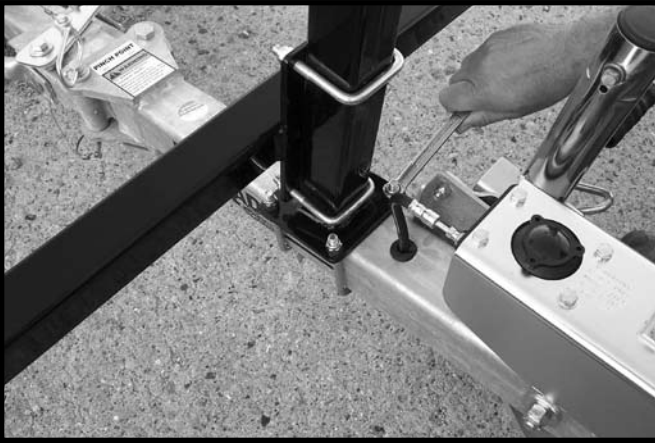


SENTRY DEFLECTOR (5950) PARTS LIST

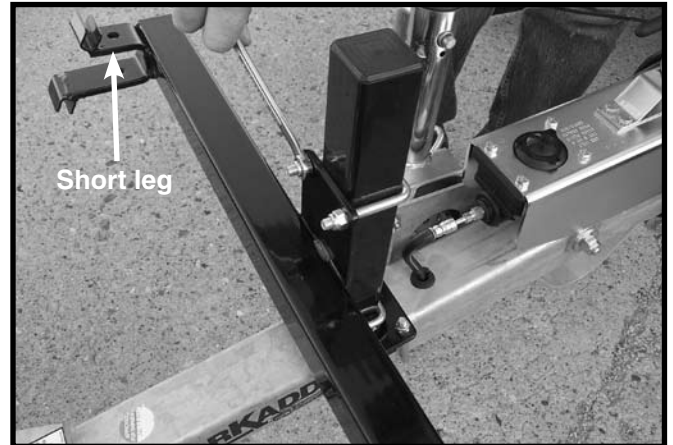
ITEM	PART #	DESCRIPTION	QTY
1	02128	U-BOLT, SQ, .375NC X 2.063 X 3.00	2
2	02592	NUT, .375NC NYLON LOCK	8
3	04193	CAP PLUG SQUARE 2 X 18 GA	3
4	04494	U-BOLT, SQ, .375 X 3.00 X 4.00	2
5	05337	SAFETY LOCK PIN ASSEMBLY	1
6	10131	ROCK GUARD, LEFT	1
7	10132	ROCK GUARD, RIGHT	1
8	10133	DEFLECTOR CENTER SECTION	2
9	10134	DEFLECTOR MOUNTING PLATE	2
10	10135	DEFLECTOR BRACE/HANDLE	2
11	10136	RETAINER BUTTON	4
12	10183	SCREW, .25 NC X .50 PHILLIPS HEAD	17
13	10184	SCREW, .25 NC X .75 PHILLIPS HEAD	4
14	10185	SCREW, .25 NC X 1.00 PHILLIPS HEAD	4
15	10186	T-NUT, .25 NC X .41 BARREL	23
16	11264	SCREW, .25 NC X 1.50 PHILLIPS HEAD	2
17	11265	SPACER BUSHING	2
18	13731-81	UPRIGHT POST MOUNT	1
19	13732-81	SENTRY CROSSMEMBER TD MNT	1
-	12329	THREAD LOCK (NOT SHOWN)	1

Please order replacement parts by **PART NO.** and **DESCRIPTION.**

ASSEMBLY INSTRUCTIONS



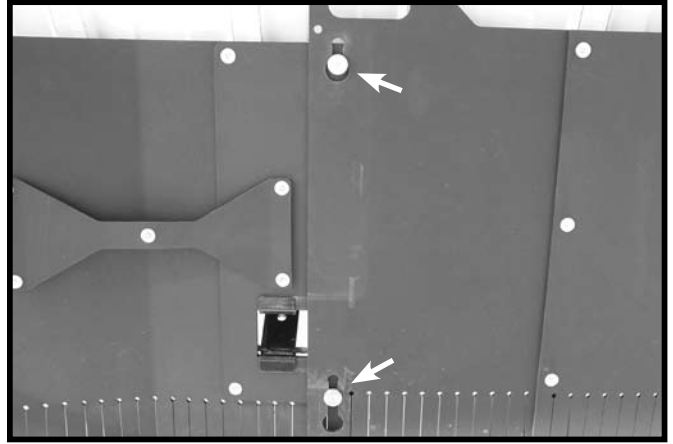
1. Attach upright post to tow dolly tongue, approximately 40" from tongue channel on tow dolly's main frame. Attach using two 3/8" x 3" x 4" u-bolts and four 3/8" nylon lock nuts.



2. Install crossmember to upright post, making sure the short leg of the mounting channel on tube ends, is on top



3. Slide the left & right rock guard onto the mounting slide channels. Note: If the center section is not bolted together, use three T-nuts and .25 x .50 phillips head screws to fasten center section together. (See parts breakdown) (Apply thread lock to threads)



4. Install center section's lower key holes over the bottom clamps of wings first, both the same time. Slowly push down until top key slots start to line up. Assist line up by moving each wing up or down. When all clamps are through key holes. Push down on center section until it snaps into place. Insert pin through hole provided and snap wire over pin to secure Sentry together as a unit. Hole on other side maybe used for a paddle lock for anti theft, if necessary.



5. Adjust the mounting brackets on the tongue so the Sentry deflector is about 6" from the vehicle and the bottom of Sentry is about 1/4"-1/2" from the tongue of tow dolly.



6. Once adjusted, the Sentry brackets can stay on tow dolly and the Sentry can be removed and placed in it's bag when not in use.

Demco

4010 320th St., BOYDEN, IA. 51234

PH: (712) 725-2311

FAX: (712) 725-2380

TOLL FREE: 1-800-54DEMCO (1-800-543-3626)

www.demco-products.com

**Go online to www.demco-products.com for Demco warranty
policies & product registration.**