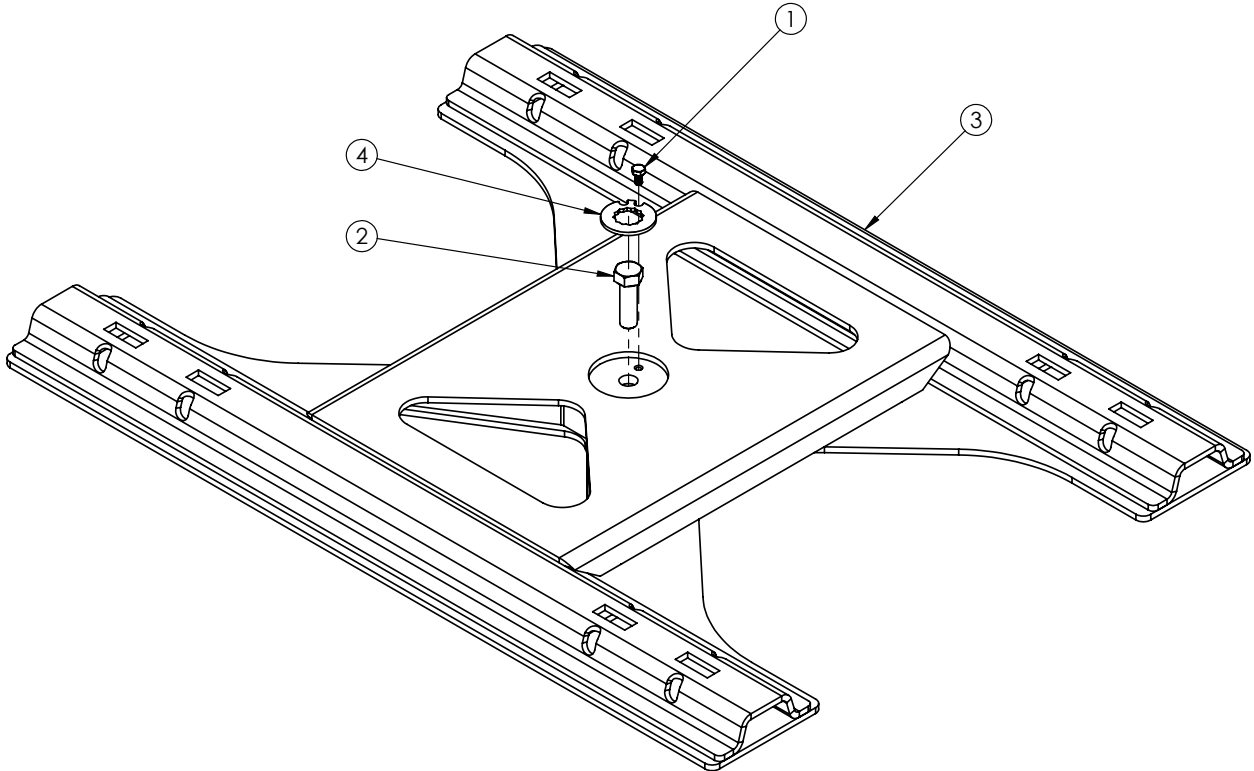


## B & W ADAPTER



ITEM	PART #	QTY	DESCRIPTION
1	<b>00092</b>	1	BOLT, .25NC X .50 GR5 HEX
2	<b>00290</b>	1	BOLT, .625NC X 2 GR5 HEX
3	<b>15384-76</b>	1	B & W UL FRAME
4	<b>15385-76</b>	1	BOLT LOCK PLATE

Please order replacement parts by **PART NO.** and **DESCRIPTION.**



**1.** To install the adapter, lay a straight edge on top of the truck bed and measure from the straight edge to the top of cross pin.



**2.** Adjust the top bolt so the top of the bushing measures approximately 1/16" less than the measurement from the straight edge to pin. Pull the B&W pin and install adapter into the socket. Allow the B&W hitch pin to slide back into place. If pin is not fully going back into place, the adapter may need to be adjusted.



**3.** Once the B&W hitch pin fully returns into the adapter, tighten the top bolt to 20-25 ft lbs. and use the bolt retainer with 1/4" bolt to hold bolt into place as shown.

### **Important:**

We **DO NOT** recommend the use of an auto sliding hitch to be used with the B&W UL rail hitch adapter.

# **DEMCO**

4010 320th St., Boyden, IA. 51234

Phone: (712) 725-2311

Fax: (712) 725-2380

Toll Free: 1-800-54DEMCO (1-800-543-3626)

**Demco warranty policies, operator manuals, and product registration  
can be found online:**

**[www.demco-products.com](http://www.demco-products.com)**

