

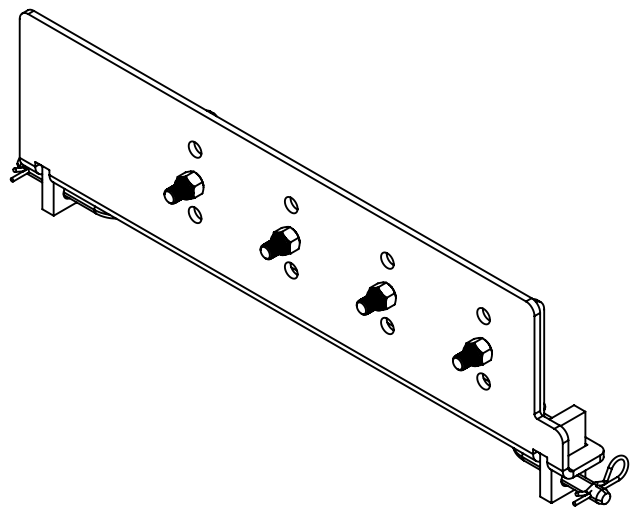
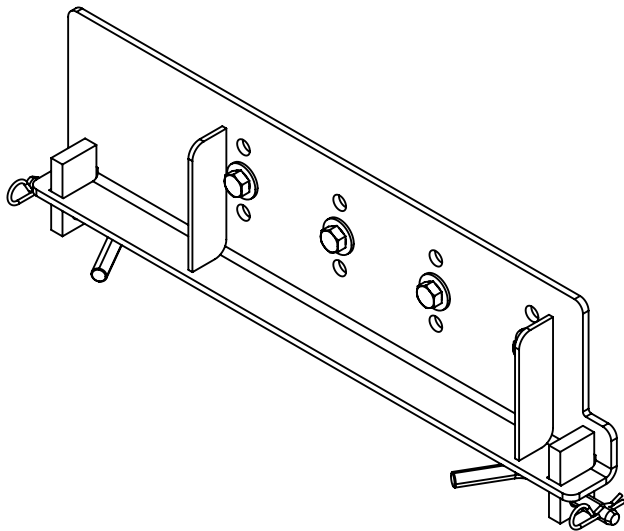


Doing Our Best to Provide You the Best

HJ26003, Rev 4
06/17

5TH WHEEL SIDE RAIL ASSEMBLIES

6003 Autoslide UL



OPERATOR MANUAL

WARRANTY POLICY, OPERATOR MANUALS & REGISTRATION

Go online to www.demco-products.com to review Demco warranty policies, operator manuals and register your Demco product.

! Torque Specifications

BOLT TORQUE DATA FOR STANDARD NUTS, BOLTS, AND CAPSCREWS.

Tighten all bolts to torques specified in chart unless otherwise noted. Check tightness of bolts periodically, using bolt chart as guide. Replace hardware with same grade bolt.

NOTE: Unless otherwise specified, high-strength Grade 5 hex bolts are used throughout assembly of equipment.

Torque figures indicated are valid for non-greased or non-oiled threads and heads unless otherwise specified. Therefore, do not grease or oil bolts or capscrews unless otherwise specified in this manual. When using locking elements, increase torque values by 5%.

* GRADE or CLASS value for bolts and capscrews are identified by their head markings.

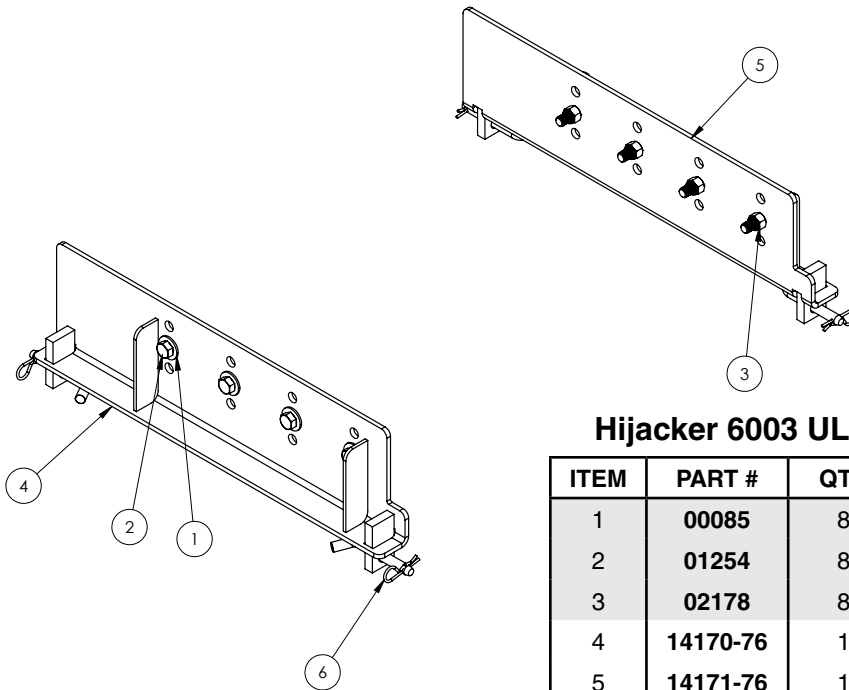
Bolt Torque for Standard bolts *

"A"	GRADE 2		GRADE 5		GRADE 8	
	lb-ft	(N.m)	lb-ft	(N.m)	lb-ft	(N.m)
1/4"	6	(8)	9	(12)	12	(16)
5/16"	10	(13)	18	(25)	25	(35)
3/8"	20	(27)	30	(40)	45	(60)
7/16"	30	(40)	50	(70)	80	(110)
1/2"	45	(60)	75	(100)	115	(155)
9/16"	70	(95)	115	(155)	165	(220)
5/8"	95	(130)	150	(200)	225	(300)
3/4"	165	(225)	290	(390)	400	(540)
7/8"	170	(230)	420	(570)	650	(880)
1"	225	(300)	630	(850)	970	(1310)

Bolt Torque for Metric bolts *

"A"	CLASS 8.8		CLASS 9.8		CLASS 10.9	
	lb-ft	(N.m)	lb-ft	(N.m)	lb-ft	(N.m)
6	9	(13)	10	(14)	13	(17)
7	15	(21)	18	(24)	21	(29)
8	23	(31)	25	(34)	31	(42)
10	45	(61)	50	(68)	61	(83)
12	78	(106)	88	(118)	106	(144)
14	125	(169)	140	(189)	170	(230)
16	194	(263)	216	(293)	263	(357)
18	268	(363)	--	--	364	(493)
20	378	(513)	--	--	515	(689)
22	516	(699)	--	--	702	(952)
24	654	(886)	--	--	890	(1206)

Hijacker 6003 UL AutoSlide Side Rail Parts List



Hijacker 6003 UL AutoSlide Side Rail Parts List

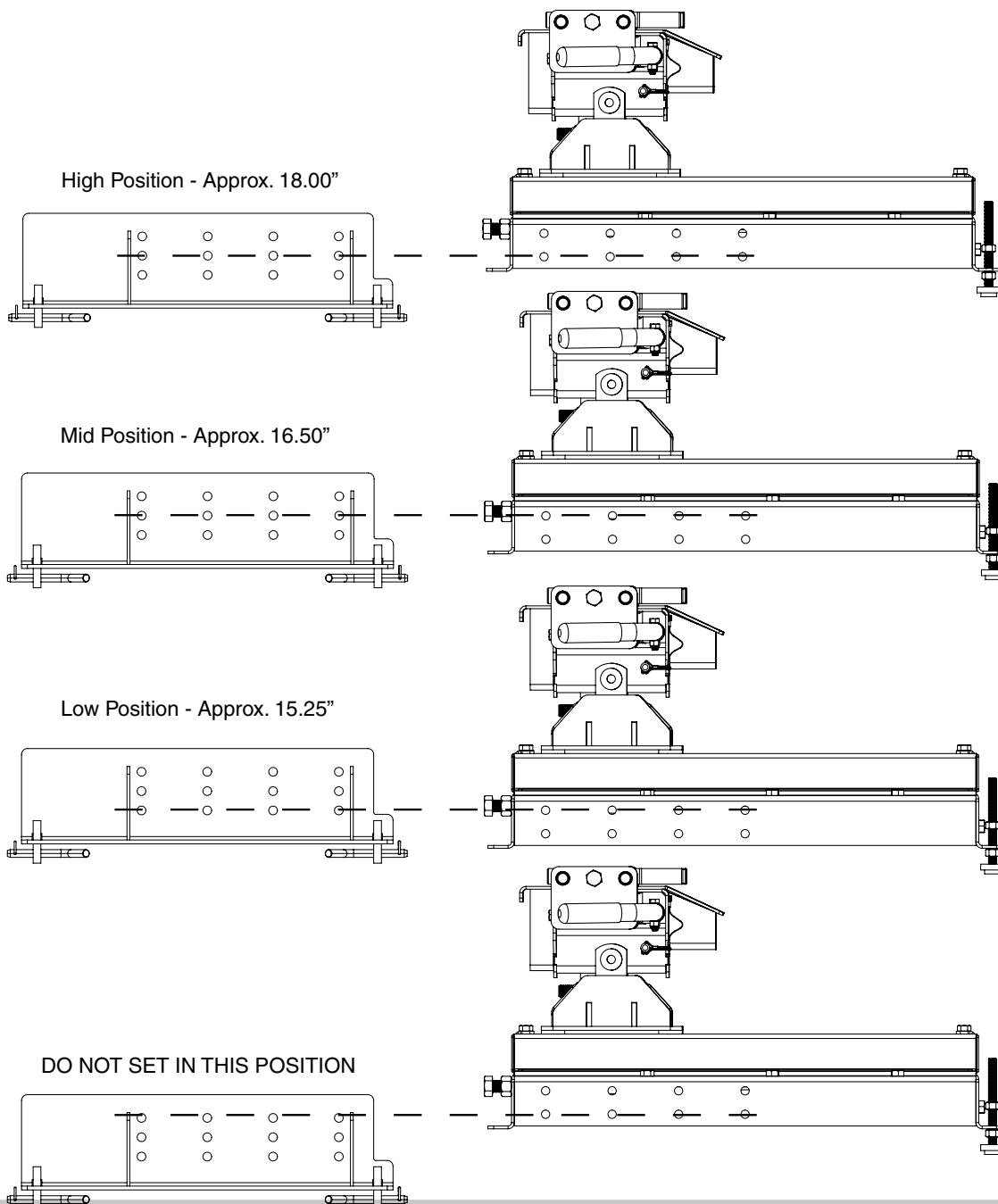
ITEM	PART #	QTY	DESCRIPTION
1	00085	8	.50 FLAT WASHER
2	01254	8	BOLT, .50 NC X 1.50 GR.5 HEX
3	02178	8	NUT, .50NC LOCK, NY. INSERT
4	14170-76	1	UAS SIDE RAIL, LEFT
5	14171-76	1	UAS SIDE RAIL, RIGHT
6	14226	4	ATTACHING PIN W/HAIR PIN

Please order replacement parts by PART NO. and DESCRIPTION.

General Assembly and Install Instructions

Hitch Assembly:

- Loosely bolt the main AutoSlide assembly to the side rails using the 1/2" x 1 1/2" bolts, flat washers, and lock nuts provided in the side rail bolt package at the predetermined height using the bolt pattern guide in drawings below. Hitch positions below are suggested height settings, you may use other hole settings to fine tune your height.
IMPORTANT: Install side rails with notch towards tailgate of truck and never use the top mounting holes of side mounts with the bottom holes of the hitch.
- Tighten all the bolts.
- Unlock locking pins and insert the hitch assembly into the base rails and test for fit.
- Proceed to base rail install procedure as provided in the base rail installation kit.



DEMCO

4010 320th St., Boyden, IA. 51234

Phone: (712) 725-2311

Fax: (712) 725-2380

Toll Free: 1-800-54DEMCO (1-800-543-3626)

**Demco warranty policies, operator manuals, and product registration
can be found online:**

www.demco-products.com

