

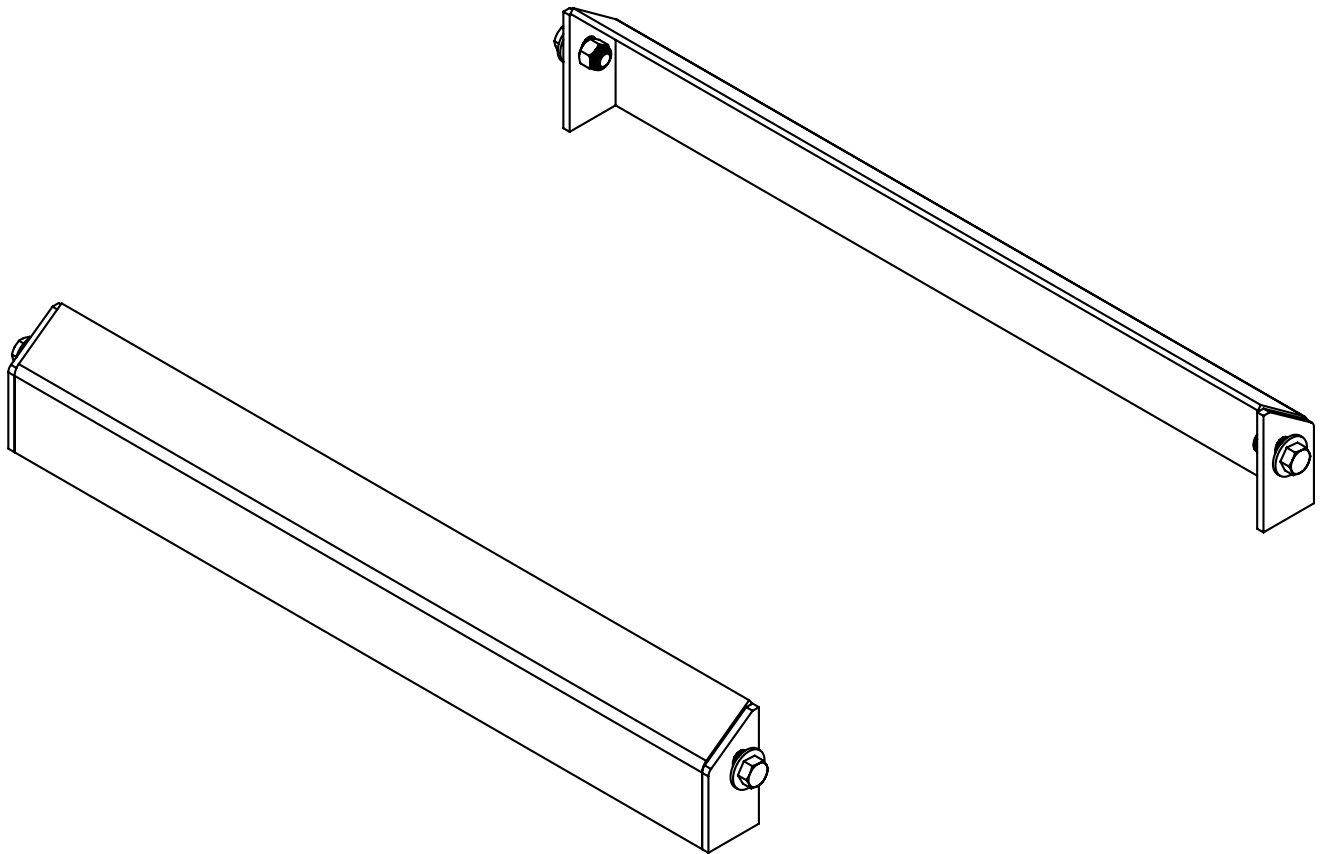


Doing Our Best to Provide You the Best

HJ25991, Rev 2
01/13

5TH WHEEL HITCH

21K Stationary Upgrade Kit #5991



OPERATOR MANUAL



Torque Specifications

BOLT TORQUE DATA FOR STANDARD NUTS, BOLTS, AND CAPSCREWS.

Tighten all bolts to torques specified in chart unless otherwise noted. Check tightness of bolts periodically, using bolt chart as guide. Replace hardware with same grade bolt.

NOTE: Unless otherwise specified, high-strength Grade 5 hex bolts are used throughout assembly of equipment.

Torque figures indicated are valid for non-greased or non-oiled threads and heads unless otherwise specified. Therefore, do not grease or oil bolts or capscrews unless otherwise specified in this manual. When using locking elements, increase torque values by 5%.

* GRADE or CLASS value for bolts and capscrews are identified by their head markings.

Bolt Torque for Standard bolts *

| "A" | GRADE 2 | | GRADE 5 | | GRADE 8 | |
|-------|---------|-------|---------|-------|---------|--------|
| | lb-ft | (N.m) | lb-ft | (N.m) | lb-ft | (N.m) |
| 1/4" | 6 | (8) | 9 | (12) | 12 | (16) |
| 5/16" | 10 | (13) | 18 | (25) | 25 | (35) |
| 3/8" | 20 | (27) | 30 | (40) | 45 | (60) |
| 7/16" | 30 | (40) | 50 | (70) | 80 | (110) |
| 1/2" | 45 | (60) | 75 | (100) | 115 | (155) |
| 9/16" | 70 | (95) | 115 | (155) | 165 | (220) |
| 5/8" | 95 | (130) | 150 | (200) | 225 | (300) |
| 3/4" | 165 | (225) | 290 | (390) | 400 | (540) |
| 7/8" | 170 | (230) | 420 | (570) | 650 | (880) |
| 1" | 225 | (300) | 630 | (850) | 970 | (1310) |

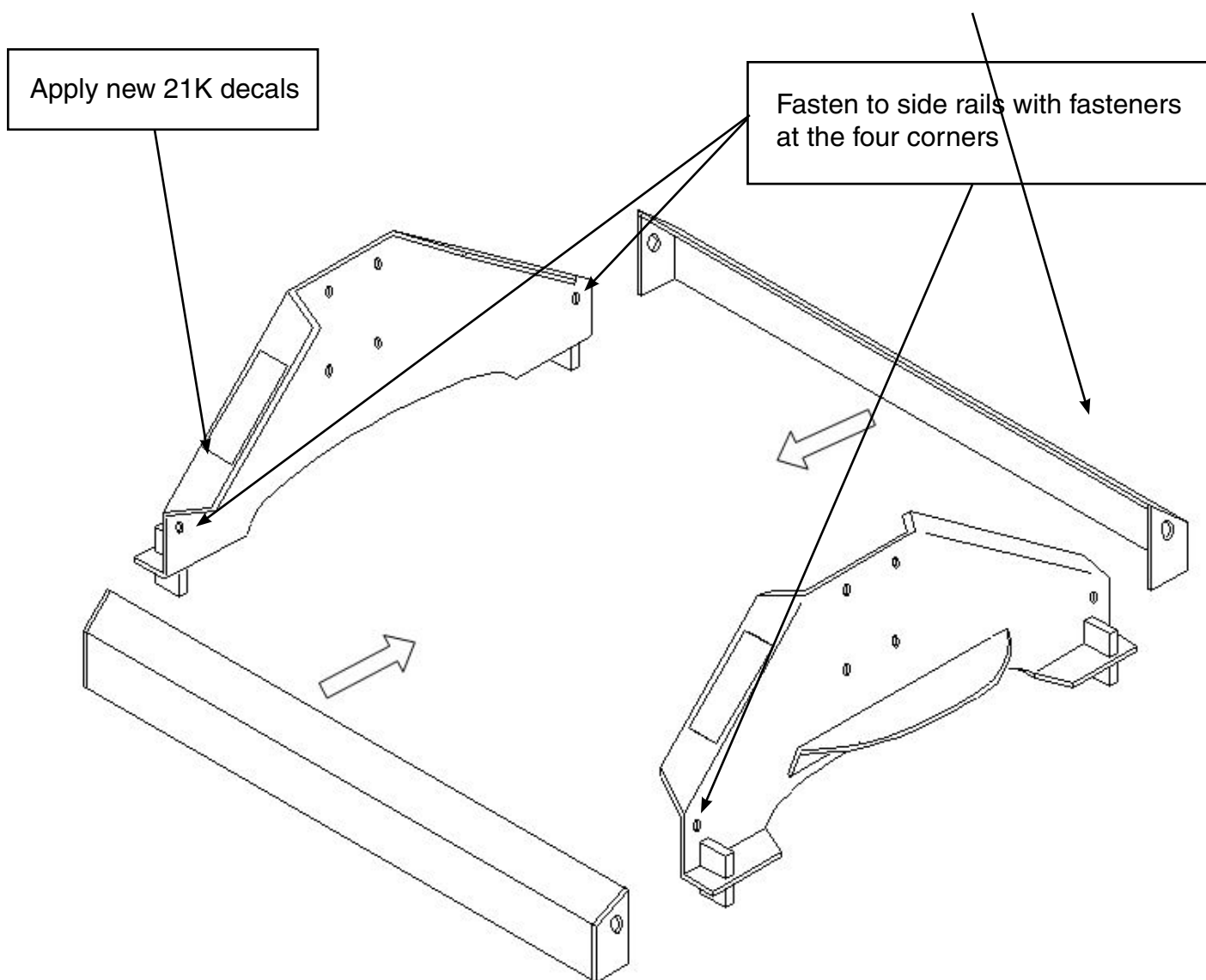
Bolt Torque for Metric bolts *

| "A" | CLASS 8.8 | | CLASS 9.8 | | CLASS 10.9 | |
|-----|-----------|-------|-----------|-------|------------|--------|
| | lb-ft | (N.m) | lb-ft | (N.m) | lb-ft | (N.m) |
| 6 | 9 | (13) | 10 | (14) | 13 | (17) |
| 7 | 15 | (21) | 18 | (24) | 21 | (29) |
| 8 | 23 | (31) | 25 | (34) | 31 | (42) |
| 10 | 45 | (61) | 50 | (68) | 61 | (83) |
| 12 | 78 | (106) | 88 | (118) | 106 | (144) |
| 14 | 125 | (169) | 140 | (189) | 170 | (230) |
| 16 | 194 | (263) | 216 | (293) | 263 | (357) |
| 18 | 268 | (363) | -- | -- | 364 | (493) |
| 20 | 378 | (513) | -- | -- | 515 | (689) |
| 22 | 516 | (699) | -- | -- | 702 | (952) |
| 24 | 654 | (886) | -- | -- | 890 | (1206) |

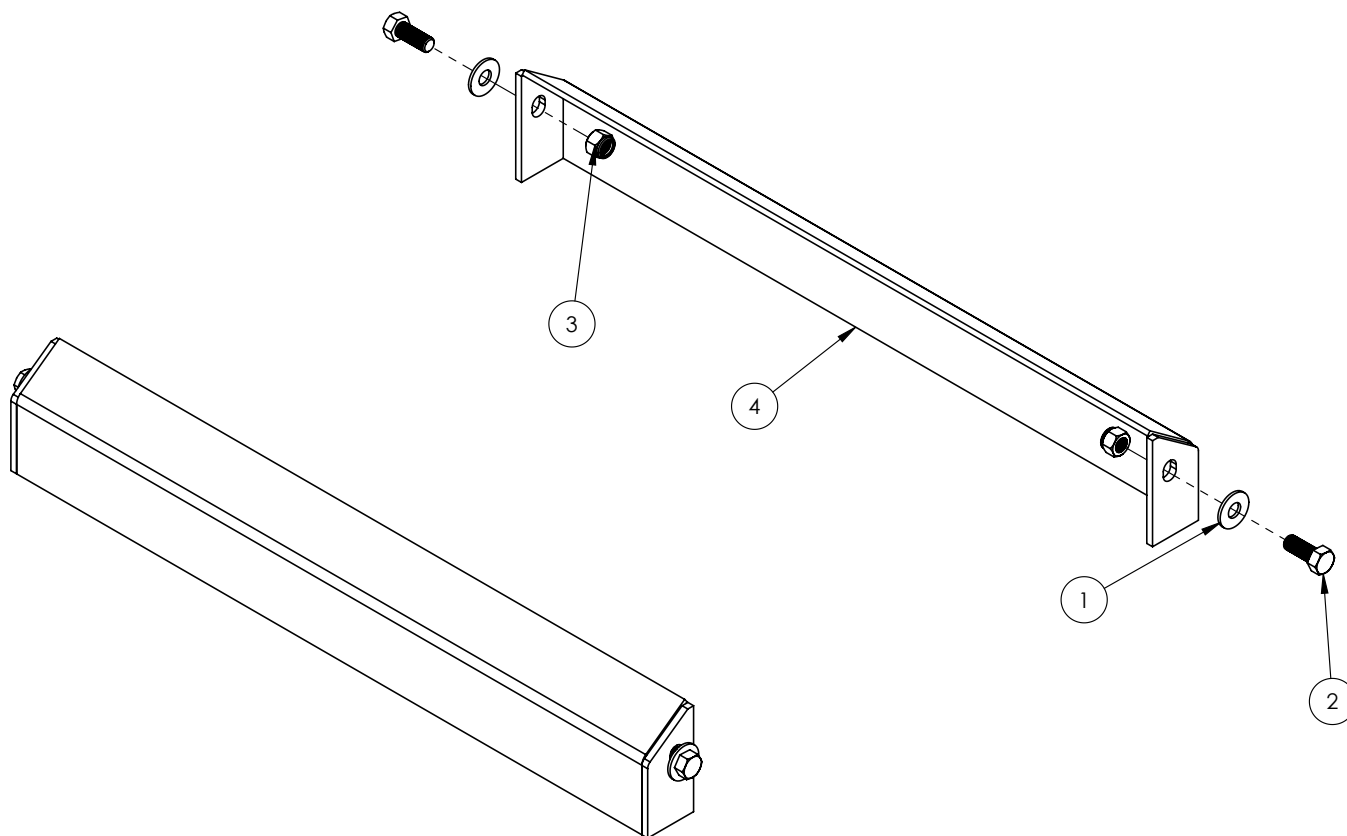
21K Upgrade Kit Assembly Instructions

The addition of these side load brackets to the Premier/UL and SL series fifth wheel hitches will boost the overall capacity rating of the hitch from 16,000 lbs. to 21,000 lbs. towing capacity.

1. Loosely assemble complete fifth wheel hitch assembly and attach the 5991 brackets, using fasteners provided in kit, to the side rails in front of and behind the hitch as shown below.
2. Replace the 16K decals with the new 21K decals that are provided with the upgrade kit over top of existing decals.
3. Tighten all bolts.



5991 Parts Breakdown



5991 Parts Breakdown

| ITEM | PART # | QTY | DESCRIPTION |
|------|----------|-----|-----------------------------|
| 1 | 00085 | 4 | .50 FLAT WASHER |
| 2 | 01254 | 4 | BOLT, .50NC X 1.50 |
| 3 | 02178 | 4 | NUT, .50NC LOCK, NY. INSERT |
| 4 | 14162-76 | 2 | 21K BRACE |

Please order replacement parts by PART NO. and DESCRIPTION.

DEMCO

4010 320th St., Boyden, IA. 51234

Phone: (712) 725-2311

Fax: (712) 725-2380

Toll Free: 1-800-54DEMCO (1-800-543-3626)

Demco warranty policies, operator manuals, and product registration
can be found online:

www.demco-products.com

