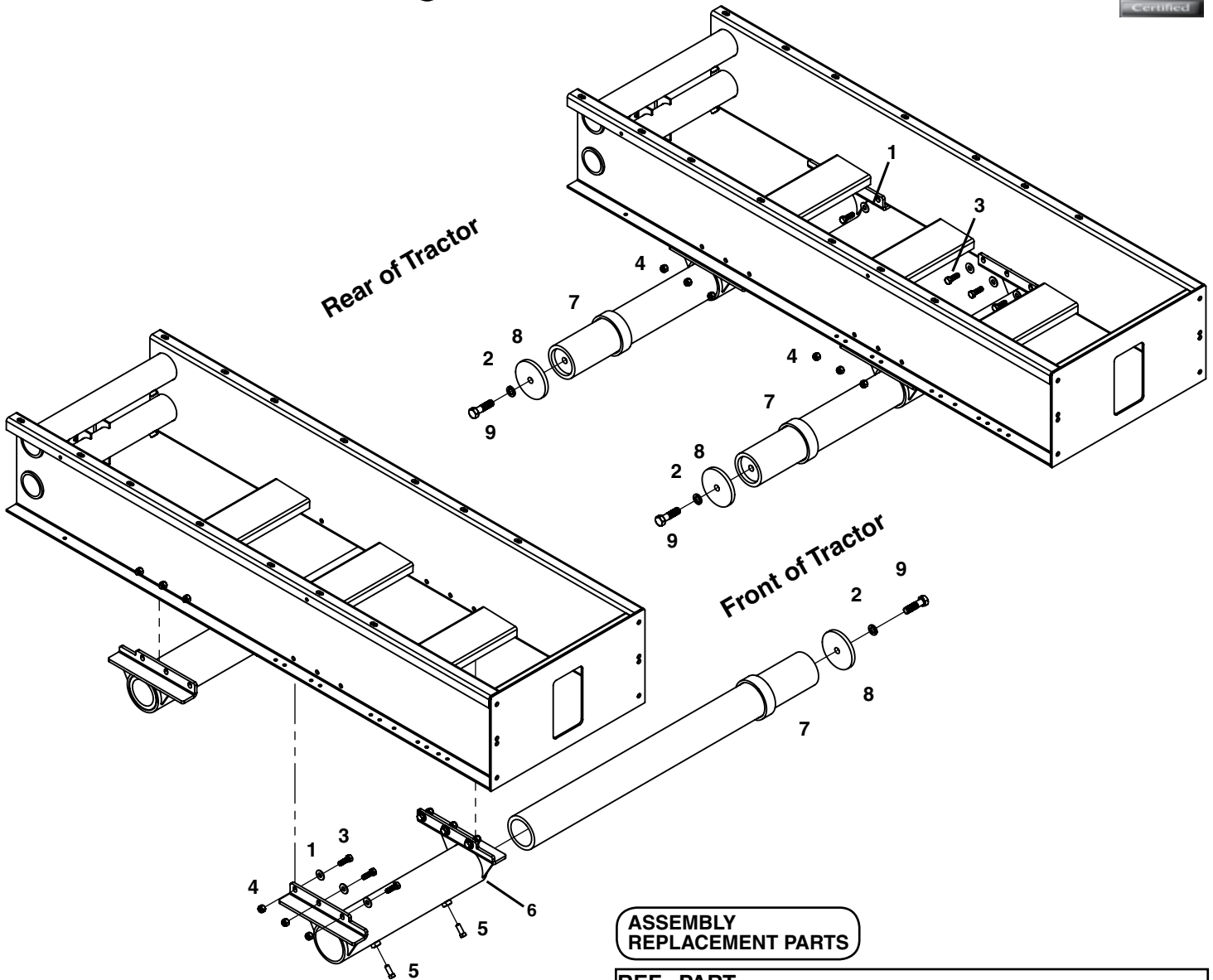


# SIDEQUEST<sup>®</sup>

by Demco

02-13  
AC20071, rev2

**John Deere**  
9330T, 9430T,  
9530T & 9630T



BOLT TORQUE SPECIFICATIONS		
STANDARD BOLTS:		
Size	Grade	Torque
1/2"	5	75 ft/lbs.
3/4"	5	290 ft/lbs.

**READ complete manual CAREFULLY BEFORE attempting operation.**

**ASSEMBLY REPLACEMENT PARTS**

REF. PART NO.	NO.	QTY.	DESCRIPTION
1.	00085	24	1/2" Flat Washer
2.	00253	4	3/4" Lockwasher
3.	01254	24	1/2"NC x 1.50 Hex Head Bolt (Gr. 5)
4.	02178	24	1/2"NC Nylon Insert Lock Nut
5.	06102	16	Set Screw 1/2" x 1-1/4 Cup Point
6.	13048-35	4	Sidequest Tank Bracket
7.	13049-35	4	Tube Mounting Bracket
8.	13054-35	4	End Cap
9.	13055	4	3/4"NF x 2-3/4 Hex Head Bolt (Gr. 5)

Please order replacement parts by **PART NO.** and **DESCRIPTION.**