

ASSEMBLY
OPERATION
REPLACEMENT PARTS



Glide Ride Pin Boxes
for Venture Replacement

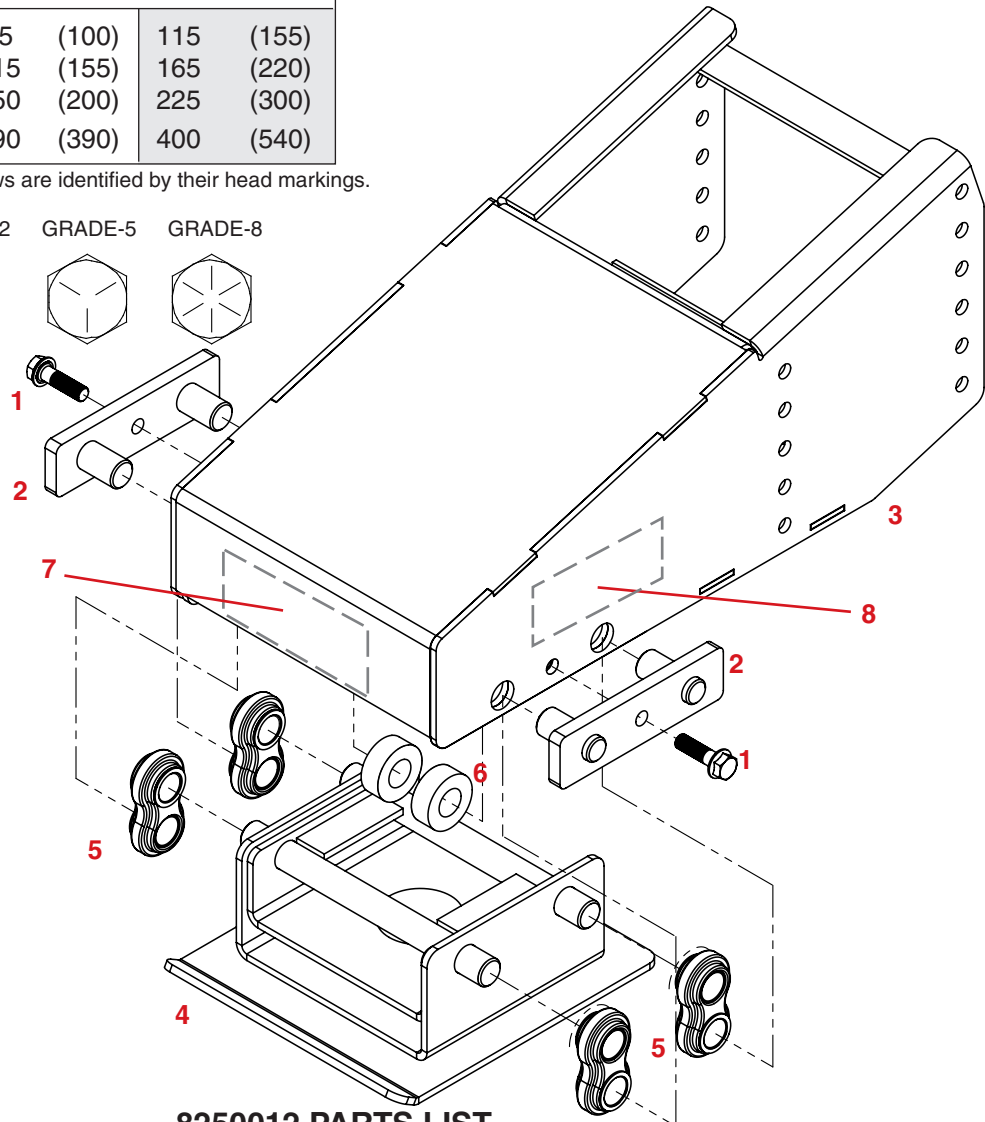
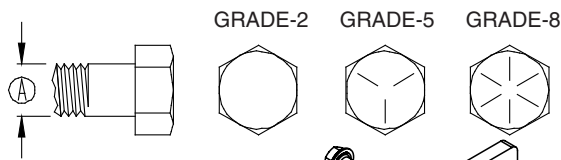
Doing Our Best to Provide You the Best

8250012 VENTURE REPLACEMENT

Bolt Torque *

"A"	GRADE 2		GRADE 5		GRADE 8	
	lb-ft	(N.m)	lb-ft	(N.m)	lb-ft	(N.m)
1/2"	45	(60)	75	(100)	115	(155)
9/16"	70	(95)	115	(155)	165	(220)
5/8"	95	(130)	150	(200)	225	(300)
3/4"	165	(225)	290	(390)	400	(540)

* Torque value for bolts and capscrews are identified by their head markings.



8250012 PARTS LIST

REF. NO.	PART NO.	QTY.	DESCRIPTION
1.	11992	2	1/2" NC x 1-1/4" Serrated Flange Bolt
2.	11941-91	2	Glide Ride Pin Assembly
3.	12165-81	1	Glide Ride Main Box (Med) 21,000 lb Rating
4.	12090-81	1	Glide Ride King Pin Base
5.	5820	-	Link Kit (Includes Four Links)
6.	12558	2	Urethane Bumper
7.	BD21004	1	Decal, Patent # and Pinch Point
8.	BG21003	2	Decal, Glide Ride

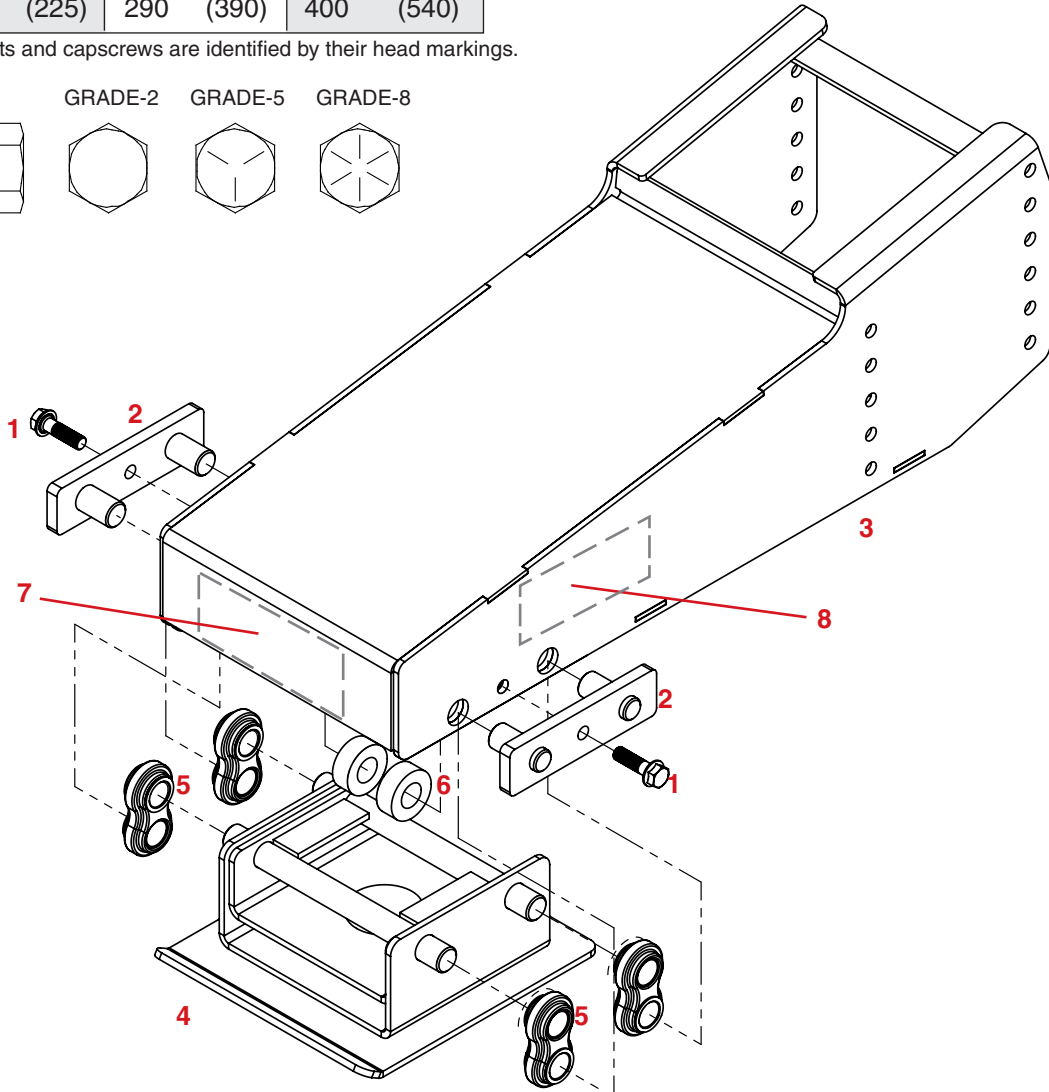
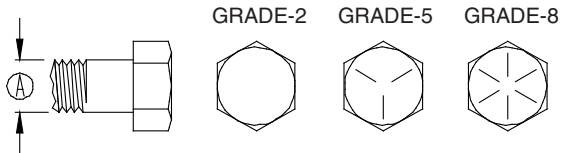
Please order replacement parts by **PART NO.** and **DESCRIPTION.**

8250013 VENTURE REPLACEMENT

Bolt Torque *

"A"	GRADE 2		GRADE 5		GRADE 8	
	lb-ft	(N.m)	lb-ft	(N.m)	lb-ft	(N.m)
1/2"	45	(60)	75	(100)	115	(155)
9/16"	70	(95)	115	(155)	165	(220)
5/8"	95	(130)	150	(200)	225	(300)
3/4"	165	(225)	290	(390)	400	(540)

* Torque value for bolts and capscrews are identified by their head markings.



8250013 PARTS LIST

REF. NO.	PART NO.	QTY.	DESCRIPTION
1.	11992	2	1/2" NC x 1-1/4" Serrated Flange Bolt
2.	11941-91	2	Glide Ride Pin Assembly
3.	12189-81	1	Glide Ride Main Box (long) 19,000 lb Rating
4.	12090-81	1	Glide Ride King Pin Base
5.	5820	-	Link Kit (Includes Four Links)
6.	12558	2	Urethane Bumper
7.	BD21004	1	Decal, Patent # and Pinch Point
8.	BG21003	2	Decal, Glide Ride

Please order replacement parts by **PART NO.** and **DESCRIPTION.**

DEMCO • 4010 320th Street • P.O. Box 189 • Boyden, IA 51234

PH: (712) 725-2311 • Toll Free: 1-800-543-3626 • FAX: (712) 725-2380 www.demco-products.com